

**Notice of Allowability**

<b>Application No.</b>	<b>Applicant(s)</b>	
09/803,630	WARNER ET AL.	
<b>Examiner</b>	<b>Art Unit</b>	
Steve R. Crow	3764	

**-- The MAILING DATE of this communication appears on the cover sheet with the correspondence address--**

All claims being allowable, PROSECUTION ON THE MERITS IS (OR REMAINS) CLOSED in this application. If not included herewith (or previously mailed), a Notice of Allowance (PTOL-85) or other appropriate communication will be mailed in due course. **THIS NOTICE OF ALLOWABILITY IS NOT A GRANT OF PATENT RIGHTS.** This application is subject to withdrawal from issue at the initiative of the Office or upon petition by the applicant. See 37 CFR 1.313 and MPEP 1308.

- 1.  This communication is responsive to the remarks filed 6-7-07.
- 2.  The allowed claim(s) is/are 32-40.
- 3.  Acknowledgment is made of a claim for foreign priority under 35 U.S.C. § 119(a)-(d) or (f).
  - a)  All    b)  Some\*    c)  None    of the:
  - 1.  Certified copies of the priority documents have been received.
  - 2.  Certified copies of the priority documents have been received in Application No. \_\_\_\_\_.
  - 3.  Copies of the certified copies of the priority documents have been received in this national stage application from the International Bureau (PCT Rule 17.2(a)).

\* Certified copies not received: \_\_\_\_\_.

Applicant has THREE MONTHS FROM THE "MAILING DATE" of this communication to file a reply complying with the requirements noted below. Failure to timely comply will result in ABANDONMENT of this application. **THIS THREE-MONTH PERIOD IS NOT EXTENDABLE.**

- 4.  A SUBSTITUTE OATH OR DECLARATION must be submitted. Note the attached EXAMINER'S AMENDMENT or NOTICE OF INFORMAL PATENT APPLICATION (PTO-152) which gives reason(s) why the oath or declaration is deficient.
  - 5.  CORRECTED DRAWINGS ( as "replacement sheets") must be submitted.
    - (a)  including changes required by the Notice of Draftsperson's Patent Drawing Review ( PTO-948) attached
      - 1)  hereto or 2)  to Paper No./Mail Date \_\_\_\_\_.
    - (b)  including changes required by the attached Examiner's Amendment / Comment or in the Office action of Paper No./Mail Date \_\_\_\_\_.
- Identifying indicia such as the application number (see 37 CFR 1.84(c)) should be written on the drawings in the front (not the back) of each sheet. Replacement sheet(s) should be labeled as such in the header according to 37 CFR 1.121(d).
- 6.  DEPOSIT OF and/or INFORMATION about the deposit of BIOLOGICAL MATERIAL must be submitted. Note the attached Examiner's comment regarding REQUIREMENT FOR THE DEPOSIT OF BIOLOGICAL MATERIAL.

**Attachment(s)**

- 1.  Notice of References Cited (PTO-892)
- 2.  Notice of Draftsperson's Patent Drawing Review (PTO-948)
- 3.  Information Disclosure Statements (PTO/SB/08),  
Paper No./Mail Date \_\_\_\_\_
- 4.  Examiner's Comment Regarding Requirement for Deposit of Biological Material
- 5.  Notice of Informal Patent Application
- 6.  Interview Summary (PTO-413),  
Paper No./Mail Date \_\_\_\_\_
- 7.  Examiner's Amendment/Comment
- 8.  Examiner's Statement of Reasons for Allowance
- 9.  Other \_\_\_\_\_

Art Unit: 3764

1. The following is an examiner's statement of reasons for allowance:

The prior art of record fails to show or teach applicant's claimed exercise bicycle comprising a frame including a seat and handlebars; a flywheel, drive train, crank arm, and pedal arrangement as claimed; a slave sprocket coupled to the flywheel in a direct-drive relationship; a spring tensioner coupled to the axle housing; and a clutch plate in engagement with the slave sprocket and the flywheel, and including a biasing member positioned between the clutch and the spring tensioner for creating a break free force.

2. The meaning of the "break free force" is found at various locations in the Specification:

"the present invention recognizes that it is desirable to have a free wheeling mechanism for an exerciser of the inertia flywheel type which provides means for selectively disengaging the flywheel from the drive means. The clutch mechanism allows for the beneficial direct-drive connection between the drive train and the flywheel, and also allows the drive train and flywheel to move independently from one another, or "break free", when a sufficient force is applied to the drive train or the flywheel.

Art Unit: 3764

Accordingly, it is a primary object of the present invention to provide a free-wheeling clutch mechanism that allows an exercise bike to include the direct-drive relationship between the drive train and the flywheel, and at the same time allow the drive train and the flywheel to turn independently from one another under certain conditions.

....characteristic when the rider applies a required force on the pedal (or to the drive train somewhere) opposite or against the forward pedaling direction. Upon application of the appropriate opposite force ("break free force threshold"), the drive train free-wheels to allow the pedals to turn in the opposite direction with respect to, or more slowly than, the rotation of the flywheel. The rider can then either simply drive the pedals at a relatively lower rpm than the normal gear ratio to the flywheel, stop the pedals, or can rotate the pedals backwards.

The free wheel clutch mechanism 40 converts the direct drive relationship between the pedal revolutions and the flywheel revolutions to a "free wheel" relationship to allow the pedals 50 to be stopped, reversed in direction, or rotated more slowly than the flywheel 44, when a sufficient force is applied in the reverse direction to either of the pedals or anywhere

Art Unit: 3764

on the drive train (where the clutch mechanism is positioned on the inertia wheel).”

Carlson et al (5,816,372) teaches the use of a Belleville washer 43 used to bias or load the rotor 26 so that it is centered within cavity 28, but teaches away from imparting frictional forces onto the elements.

3. Any comments considered necessary by applicant must be submitted no later than the payment of the issue fee and, to avoid processing delays, should preferably accompany the issue fee. Such submissions should be clearly labeled “Comments on Statement of Reasons for Allowance.”

Any inquiry concerning this communication or earlier communications from the examiner should be directed to Steve R. Crow whose telephone number is 571-272-4973. The examiner can normally be reached on Reg:8:30-6;Off First Friday.

If attempts to reach the examiner by telephone are unsuccessful, the examiner’s supervisor, Cary O’Connor can be reached on 571-272-4887. The fax phone number for the organization where this application or proceeding is assigned is 703-872-9306.

Art Unit: 3764

Information regarding the status of an application may be obtained from the Patent Application Information Retrieval (PAIR) system. Status information for published applications may be obtained from either Private PAIR or Public PAIR. Status information for unpublished applications is available through Private PAIR only. For more information about the PAIR system, see <http://pair-direct.uspto.gov>. Should you have questions on access to the Private PAIR system, contact the Electronic Business Center (EBC) at 866-217-9197 (toll-free).



**Stephen R. Crow**  
**Primary Examiner**

SC

+

16/23

FIGURE 24

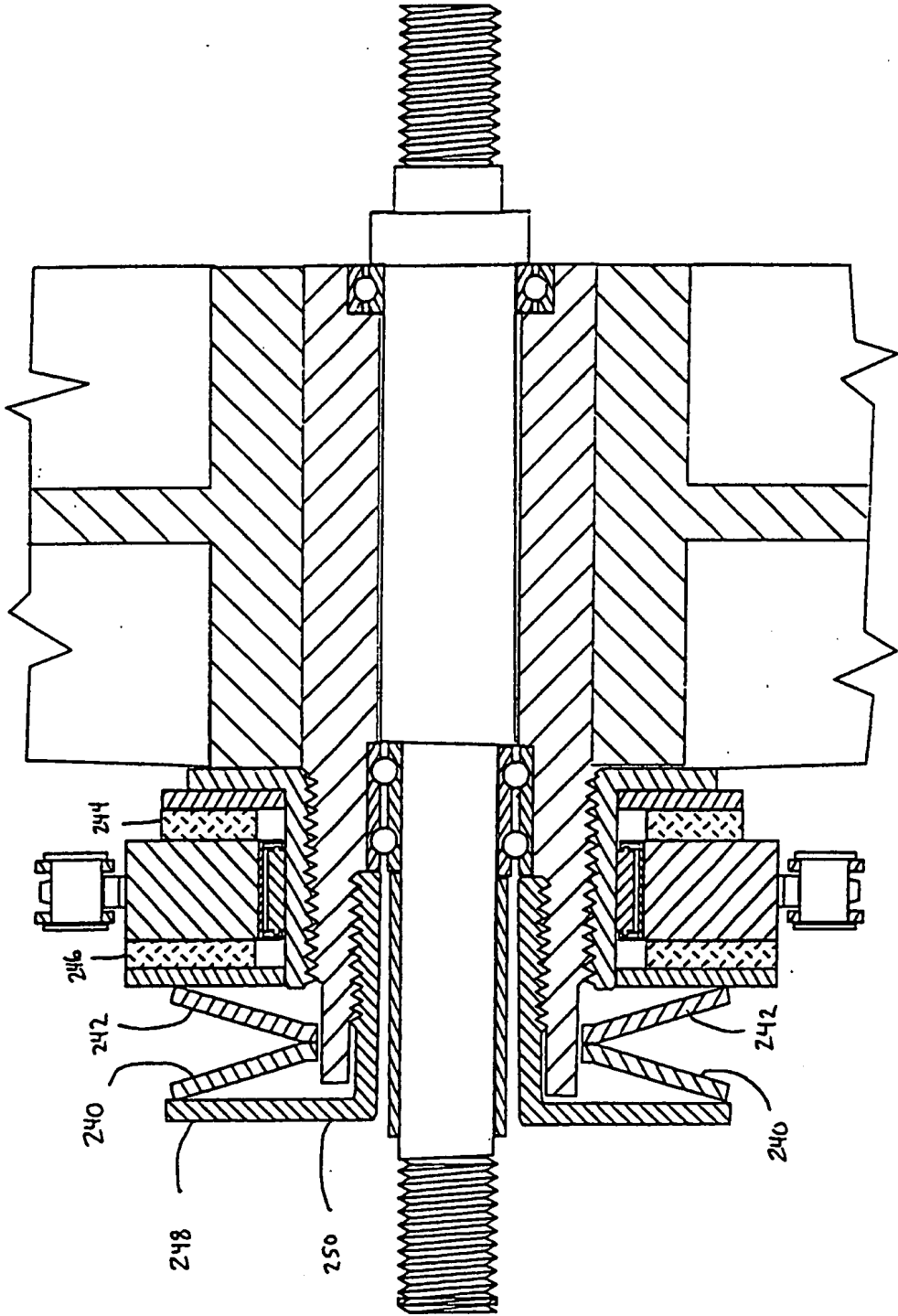


Fig. 24

+